

HEATCO make Mica Wound Strip Heaters And Band Heaters



Mica Wound Strip Heaters And Band Heaters

The Mica wound Strip & Band Heaters that we are providing are fabricated giving careful consideration of watt density that is necessary in the design in industrial heating elements. There is much variation in the range of watt density & each electric mica wound strip heater and band heaters has its own individual watt density properties.

The Strip Heater should be properly pressed from the top so that expansion can be minimized. The outer sheathing can be MS, Brass or SS and the connection can be at either end or both ends and are of Bolt type, Plug type or Loop type as per the requirement.

Typical Installations of Strip Heaters:

- Ovens & cabinet warming - for drying, melting, baking
- Moisture protection - in motors, control cabinets
- Load resistors
- Clamped onto - platens, tanks, hot plates, dies, moulds, tin melting, weld pre-heating

The Mica Band Heater should be tightly clamped on the barrel or else it will fail prematurely. The outer sheathing can be MS, Brass or SS and the connection can be at either end or both ends and are usually of Plug type, Bolt type or Loop type as per the requirement.

Typical Installations of Band Heaters:

Plastic Processing Machinery.
Injection and Blow Moulding.
Extruders.
Many other Applications. (Medical, Lab-Equipments. ...etc)

MICA WOUND BAND HEATERS

When ordering please consider the following points & specify them:

Inside diameter. & width of the heater.

Wattage & Voltage.

Sheathing Material

Type of terminals required.

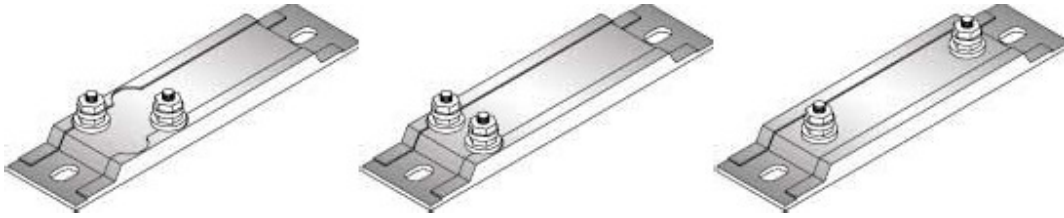
Sensor hole and its place.

Drawing where special type of holes or cutout required.
Operating Temperature.

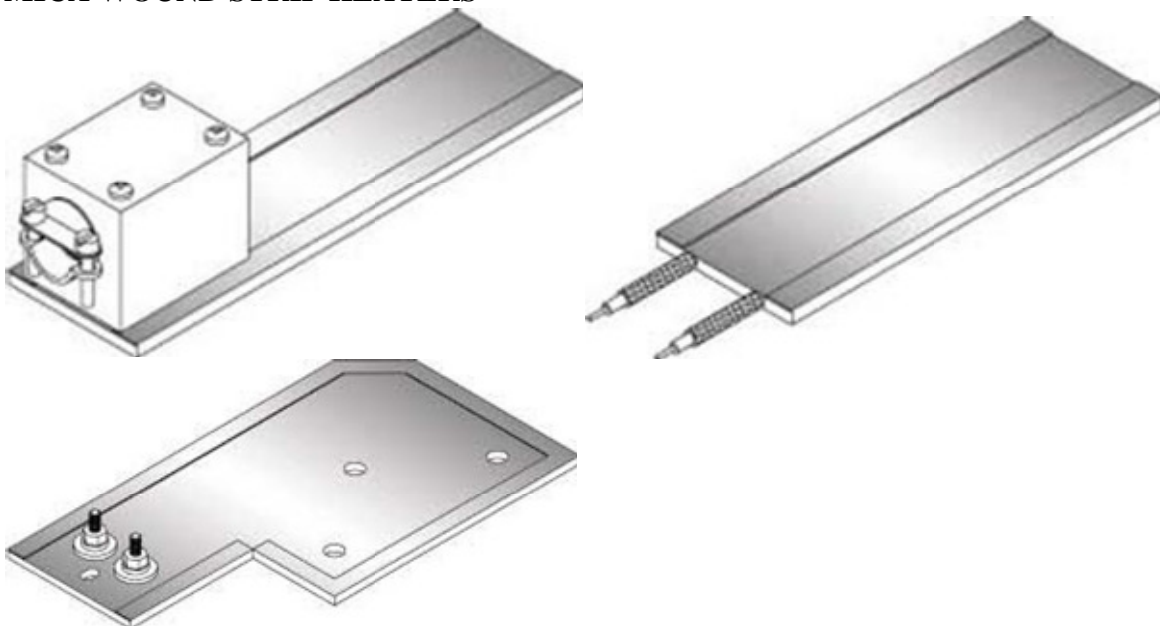
Typical Installations of Strip Heaters:

- Ovens & cabinet warming - for drying, melting, baking
- Moisture protection - in motors, control cabinets
- Load resistors

- Clamped onto - platens, tanks, hot plates, dies, molds, tin melting, weld pre-heating
-



MICA WOUND STRIP HEATERS



MICA WOUND BAND HEATERS

